

aleddra— Your LED Lighting Partner



4-Ft T8 (2-end)

2-Ft T8 (2-end)

5-Ft T8 (2-end)

4-Ft T8 (1-end)

2-Ft T8 (1-end)

Approx. Equivalent
32W

Approx. Equivalent
17W

Approx. Equivalent
50W

Approx. Equivalent
32W

Approx. Equivalent
17W

Socket Type
G13 Bi-Pin

Socket Type
G13 Bi-Pin

Socket Type
G13 Bi-Pin

Socket Type
G13 Bi-Pin

Socket Type
G13 Bi-Pin

Voltage
110V-277V

Voltage
110V-277V

Voltage
110V-277V

Voltage
110V-277V

Voltage
110V-277V

Consumption Power
18.5 ± 10%

Consumption Power
9W ± 10%

Consumption Power
23W ± 10%

Consumption Power
18.5 ± 10%

Consumption Power
9W ± 10%

Color Temperature
3000K, 4100K,
5000K, 6000K

Color Temperature
3000K, 4100K,
5000K, 6000K

Color Temperature
3000K, 4100K,
5000K, 6000K

Color Temperature
3000K, 4100K,
5000K, 6000K

Color Temperature
3000K, 4100K,
5000K, 6000K

CRI > 80
R9 > 0

CRI > 80
R9 > 0

CRI > 80
R9 > 0

CRI > 80
R9 > 0

CRI > 80
R9 > 0

Lumen Output
1850 lm ± 10%
@ 4100K

Lumen Output
900 lm ± 10%
@ 4100K

Lumen Output
2200 lm ± 10%
@ 4100K

Lumen Output
1850 lm ± 10%
@ 4100K

Lumen Output
900 lm ± 10%
@ 4100K

Beam Angle
120° ± 5°

Beam Angle
120° ± 5°

Beam Angle
120° ± 5°

Beam Angle
120° ± 5°

Beam Angle
120° ± 5°

LED Chip
2835, 3528 SMD

LED Chip
2835, 3528 SMD

LED Chip
3528 SMD

LED Chip
2835, 3528 SMD

LED Chip
2835, 3528 SMD

Lens Type
Clear, Frosted

Lens Type
Clear, Frosted

Lens Type
Clear, Frosted

Lens Type
Clear, Frosted

Lens Type
Clear, Frosted

Weight
14 oz

Weight
7 oz

Weight
17.5 oz

Weight
14 oz

Weight
7 oz

Length (MOL)
47 3/4 in

Length (MOL)
23 5/16 in

Length (MOL)
58 3/4 in

Length (MOL)
47 3/4 in

Length (MOL)
25 5/16 in

Tube Type
T8

Tube Type
T8

Tube Type
T8

Tube Type
T8

Tube Type
T8

Operating Temp.
-20 °C to +50 °C
-4 °F to +122 °F

Operating Temp.
-20 °C to +50 °C
-4 °F to +122 °F

Operating Temp.
-20 °C to +50 °C
-4 °F to +122 °F

Operating Temp.
-20 °C to +50 °C
-4 °F to +122 °F

Operating Temp.
-20 °C to +50 °C
-4 °F to +122 °F

Body Material
Aluminum + PC

Body Material
Aluminum + PC

Body Material
Aluminum + PC

Body Material
Aluminum + PC

Body Material
Aluminum + PC

Dimmable
No

Dimmable
No

Dimmable
No

Dimmable
No

Dimmable
No

Rated Life
Up to 50,000 Hours

Rated Life
Up to 50,000 Hours

Rated Life
Up to 50,000 Hours

Rated Life
Up to 50,000 Hours

Rated Life
Up to 50,000 Hours

Warranty
5 Years
(12hr/day usage)

Warranty
5 Years
(12hr/day usage)

Warranty
5 Years
(12hr/day usage)

Warranty
5 Years
(12hr/day usage)

Warranty
5 Years
(12hr/day usage)

Approval
UL 1598C
DLC

Approval
UL 1598C
DLC Pending

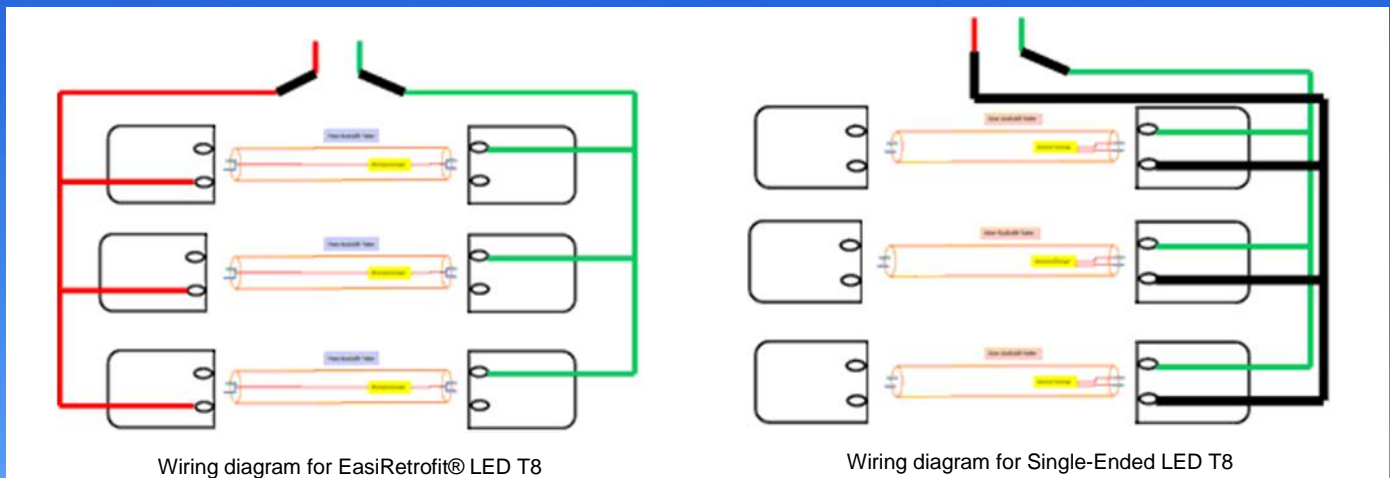
Approval
UL 1598C

Approval
UL 1598C
DLC

Approval
UL 1598C
DLC Pending

Application Data

DLC Qualified 4-ft T8 Models	Style	Lens	CCT (K)	Lumen Output (LM)	Watt. (W)	Efficacy (LPW)	CRI	Warranty	Safety
LLT-4-T8-C-SW-120-U-D-10-50K	EasiRetrofit double-end	Clear	5000	1950	18.5	100	81	5 yrs	UL1598C
LLT-4-T8-C-SW-120-U-D-10-41K	EasiRetrofit double-end	Clear	4100	1950	18.5	100	81	5 yrs	UL1598C
LLT-4-T8-D-SW-120-U-D-10-50K	EasiRetrofit double-end	Frosted	5000	1850	18.5	100	81	5 yrs	UL1598C
LLT-4-T8-D-SW-120-U-D-10-41K	EasiRetrofit double-end	Frosted	4100	1850	18.5	100	81	5 yrs	UL1598C
LLT-4-T8-C-SW-120-U-S-10-50K	Single-end	Clear	5000	1950	18.5	100	81	5 yrs	UL1598C
LLT-4-T8-C-SW-120-U-S-10-41K	Single-end	Clear	4100	1950	18.5	100	81	5 yrs	UL1598C
LLT-4-T8-D-SW-120-U-S-10-50K	Single-end	Frosted	5000	1850	18.5	100	81	5 yrs	UL1598C
LLT-4-T8-D-SW-120-U-S-10-41K	Single-end	Frosted	4100	1850	18.5	100	81	5 yrs	UL1598C



EasiRetrofit LED T8 Advantages:

- Self-ballasted with internal driver
- Easy installation with minimal rewiring of fixture
- Saves 50-70% installation time and labor costs
- Compatible with both shunted and non-shunted lamp-holders (tombstones)
- Dual Safety Switch (DSS) protects installer from electrical shock hazard
- Extra protection for maintenance crews that mistakenly insert a fluorescent tube into a fixture converted for LED T8 use only
- Use a patented field-replaceable driver to minimize maintenance downtime
- Double the life of the LED tube to 10 years by replacing a new driver at 1/3 of the lamp cost.