



aleddra – Your LED Lighting Partner

www.aleddra.com • info@aleddra.com • [eCatalog](#)

Double-Ended LED LLT vs. Single-Ended LLT



UL-classified Double-Ended LED LLT with CRI > 80



Candelabra Light



PAR 30 Dimmable



MR 16



PAR38 @ 1200 lm

There are two types of LED Linear Light Tube (LLT) on the market, the double-ended LLT and the single-ended LLT. The main difference of these two types of LED LLTs lies in the rewiring when retrofitting for existing fluorescent fixture. Figure 1 below shows the standard wiring diagram of a fluorescent fixture. When installing a double-ended LED LLT with an internal power driver, the rewiring is required for bypassing the ballast as shown in Figure 2 with black line. In comparison, when installing a single-ended LED LLT with an internal power driver, the retrofitting work involves both bypassing the ballast and rewiring the sockets (or tombstones) as shown in Figure 3. It thus takes more work to retrofit a single-ended LED LLT than a double-ended LLT when it is doable. However, when the two sockets of the tombstone of existing fluorescent fixture are shorted, as is often the case, it is not possible to retrofit single-ended LLT by rewiring.

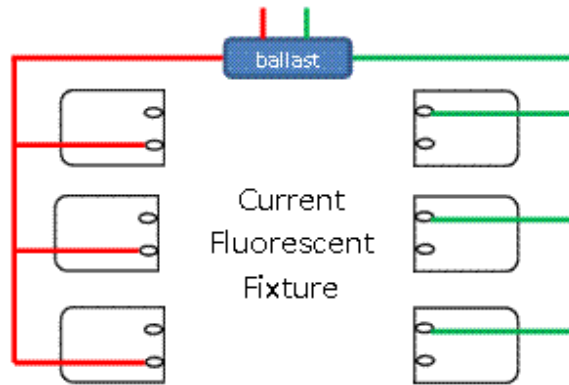


Figure 1. Current fixture wiring

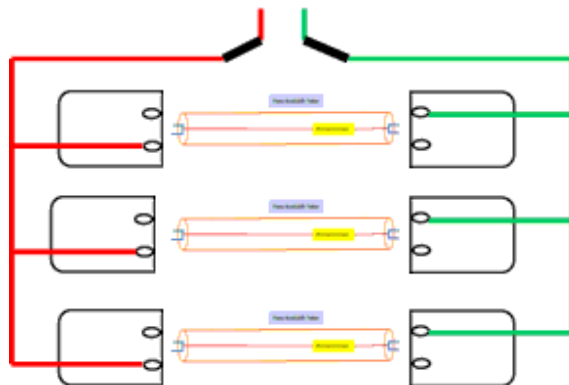


Figure 2. Double-ended LLT rewiring

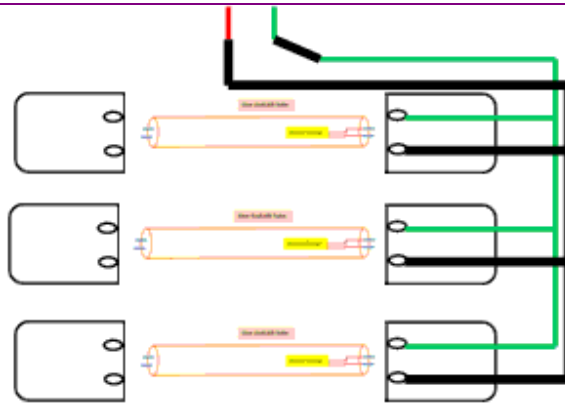
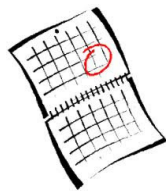


Figure 3. Single-ended LLT rewiring

Comparing to single-ended LLT, double-ended LLT is much easier to install and re-wire, thus saving you and your customer time and money. The catch is that very few double-ended LLTs are UL-certified. While most single-ended LLT are UL-certified, their UL certificates however do not apply to the double-ended LLT. Remember to ask your supplier for the UL certificate number of their double-ended LLTs, and you will be surprised that very few have it. Don't let them fool you with the UL certificate of their single-ended LLTs.

[Read more...](#)



Mark Your Calendar:

- **LIGHTFAIR International**, May 9-11, 2012, Las Vegas, NV, [more ...](#)
- **West Coast Energy Management Congress**, May 25-24, 2012, Seattle, WA, [more ...](#)

www.aleddra.com • info@aleddra.com • [eCatalog](#)

2210 Lind Ave. SW, Suite 100, Renton, WA 98057

Phone +1-425-430-4555 – Fax +1-425-277-4289

To unsubscribe the newsletter, click unsubscribe@aleddra.com