

## Aleddra Flood Light – 400W-600W



### I. Application:

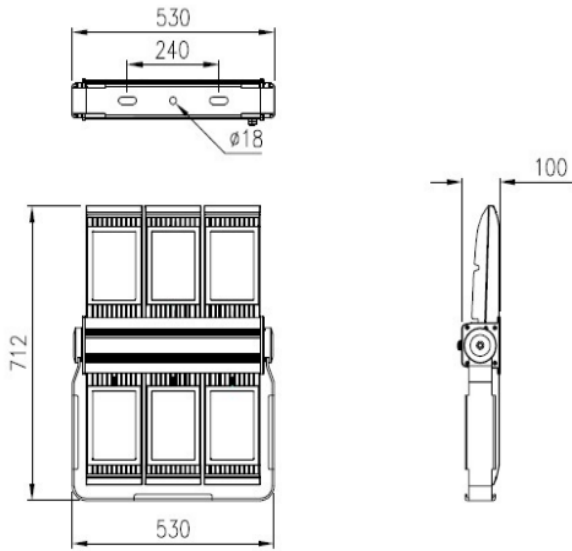
For outdoor lighting, such as architecture, industrial area, factory, gym, garden, sea port and so on.

### II. Lamp features:

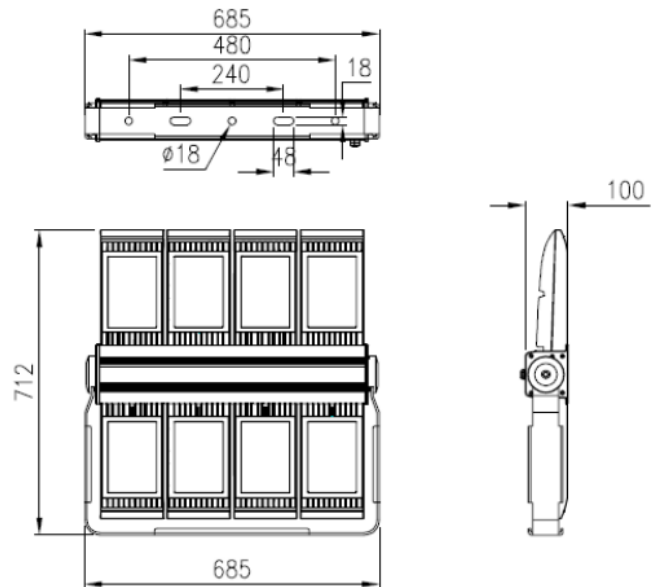
1. Unlike traditional flood lights which have the heat sinker located on the back of the lamp, this new model uses a special fin-like type of heat sinker, which makes the lamp lighter and better for heat dissipation.
2. The placement of the driver is unique, in that it is set apart from the heat sinker, not on top of the heat sinker, like other makes and models. This feature keeps the driver away from the heat source promoting a longer lamp life.
3. It is IP65 Rated, which makes it good for wet conditions.
4. It's sleek appearance, using SAMSUNG LEDs, and unique design, allow it to blend in with the environment, and adds a lot of useful light. The efficacy is 120lm/w.
5. The Aleddra Flood Light uses the Meanwell driver and is guaranteed for 5 years, or 50,000 hours of use.

### III. Lamp Dimensions:

AL-FL675-W400-X



AL-FL675-W600-X

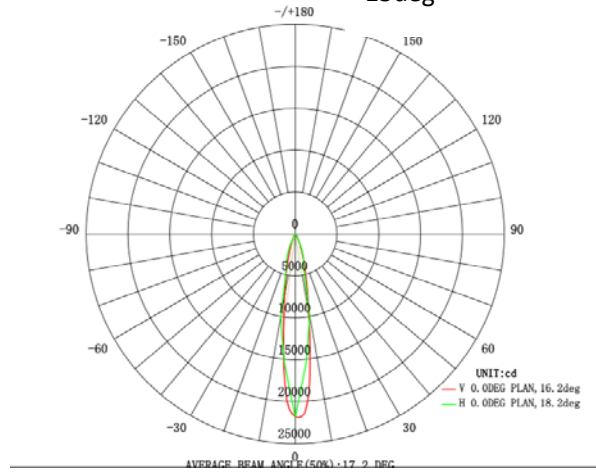


### IV: Parameter

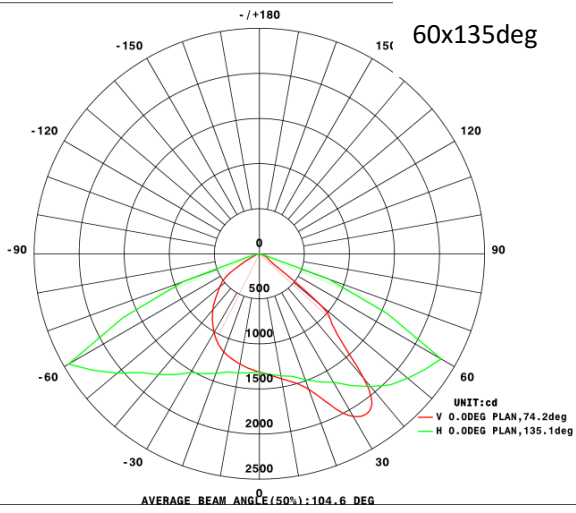
Model	Wattage/w	Lumen	Lamp Size/mm	LED Quantity	Outer box/mm	Quantity /PCS	NW/KG	GW/KG
AL-FL675-W400	400W±10W	40000LM	530X712X100	216	64x77x19cm	1	21.0	24.0
AL-FL675-W600	600W±10W	60000LM	685X712X100	288	80x77x19cm	1	28.0	32.0
LED: SAMSUNG Chip								
CCT: 2800-6700K Optional								
Voltage: 100-277V								
CRI:>70 PF:>0.93								
Working Temperature: -30 ~45° C								

# V: Light distribution Parameters:

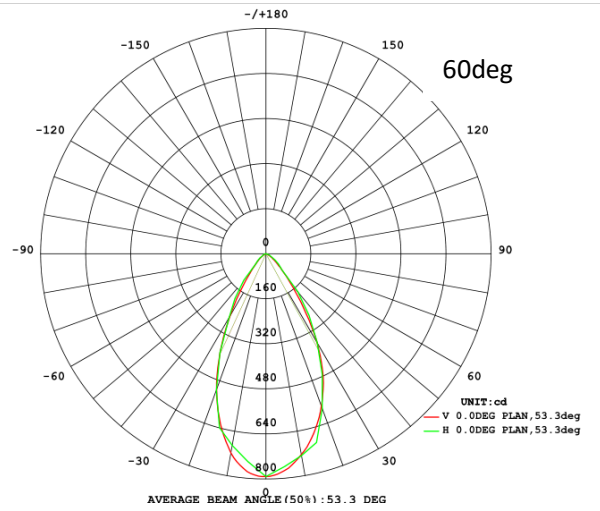
15deg



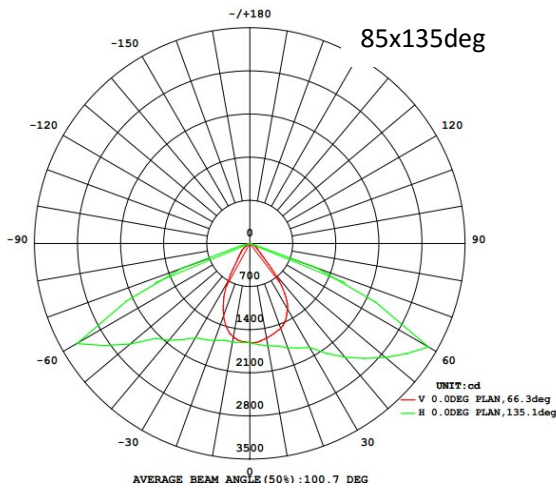
60x135deg



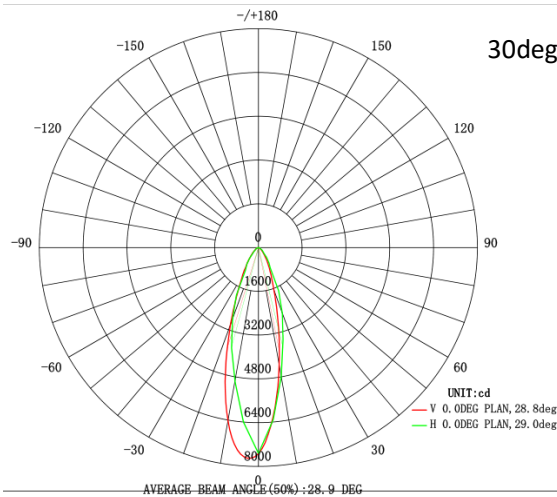
60deg

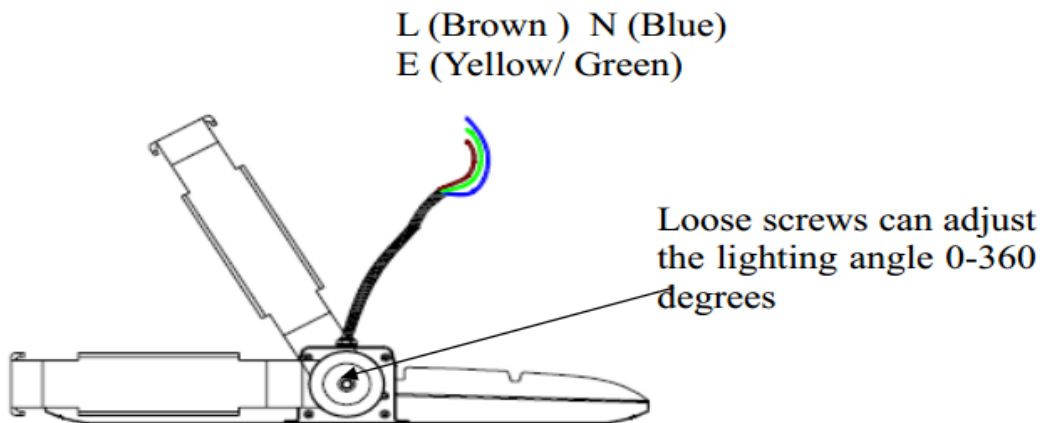


85x135deg

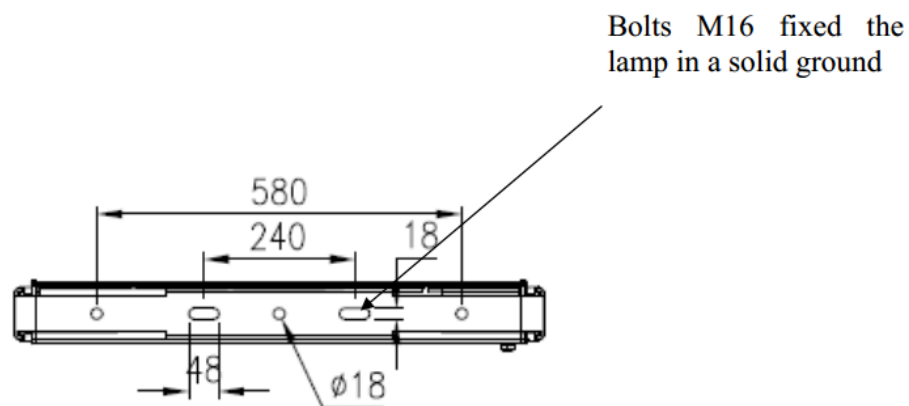


30deg





## VII: Attention for Installation



## VIII. WARNING:

- **TO AVOID THE RISK OF Electric Shock, serious injury or death, be certain that all electrical power is disconnected** from the supply branch circuit conductors before installing or maintaining this fixture.
- Turn off the power and make sure the wall can hold the burden of the lamp prior to installing the lamp.
- Ensure the lamp is installed correctly, before releasing the lamp so it doesn't fall.
- Do not use the lamp in areas with strong gas fumes.
- Do not cover the lamp with anything that will not allow for heat dissipation.
- Be sure to connect the ground line well.

- Product is guaranteed for 5 years or 50,000 hours.
- This product must be installed and maintained in accordance with the applicable installation codes by a person familiar with the construction and operation of the product and the hazards involved.
- This product must be installed and maintained in accordance with the applicable installation codes by a person familiar with the construction and operation of the product and the hazards involved.
- Avoid direct eye exposure to the light source when light is on.
- Failure to install properly will void the warranty.

