

## CF-LED™ U-Lamp — E26, E39 HID Replacement



4U

5U

8U

### Description

Aleddra's CF-LED™ U-lamp is the most cost-effective retrofit option for HID lamp with up to 80% energy savings. Compared to LED Corn Light, it is superior in two aspects: half of the weight and smaller in size, which makes it a much better option for enclosed HID fixtures.

This CF-LED U-lamp operates with 110 to 277V AC line voltage without any ballast. It is immediately available in E26 and E39 (mogul base) base.

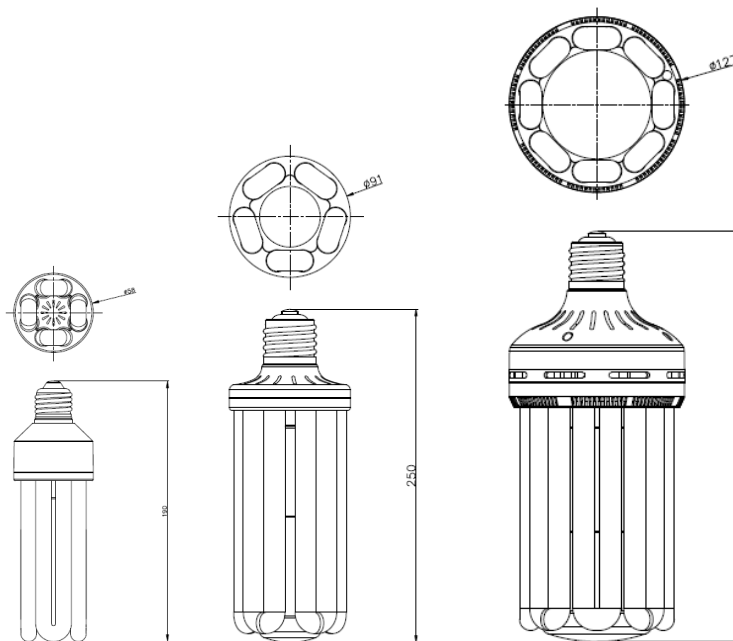
### Key Features

- Efficacy: >90 LPW
- Socket type: E26, E39, G24Q (22W only)
- CCT: 3000K, 4000K, 5000K
- CRI > 80 (>90 optional)
- Beam angle: 360°
- Input voltage: 110V-277V (bypassing ballast)
- Wattage: 22W, 30W, 50W, 80W
- Operating temperature: -20°F to 122°F
- Warranty: 5 years
- cULus listed
- DLC (E39 base); LDL (E26 base)
- Patent Pending

### Ordering Information

Product Label	Tube	Wattage	Lumen	Replace HID Watt.
<b>ALJ12-22U-8YY-G24Q</b>	4U	22W	2000 lm	65W
ALJ12-22U-8YY-E26	4U	22W	2000 lm	65W
ALJ16-30U-8YY-E26	4U	30W	2700 lm	100W
ALJ16-30U-8YY-E39	4U	30W	2700 lm	100W
ALJ16-50U-8YY-E26	5U	50W	4500 lm	175W
ALJ16-50U-8YY-E39	5U	50W	4500 lm	175W
ALJ16-80U-8YY-E39	8U	80W	7200 lm	250W

● YY represents 3000K, 4000K, and 5000K



4U:  $\phi 2.28'' \times 7.48''$

5U:  $\phi 3.58'' \times 9.84''$

8U:  $\phi 5'' \times 11.61''$

