

G2 Emergency T8 Tube

4-ft



Specifications

Color	4000K, 5000K (other color made to order)
Wattage	15 W
Length	4ft
CRI	>80
Input Voltage	AC100-277V
Light Output	1800 lm
LED Type	SMD2835
Power Factor	>0.92
Luminous Efficiency	>120 lm/W
Emergency Time	90 minutes
Light Output on Battery	420 lm at 3.5W
Warranty	5-year

Ordering Information

Product Model #	Wattage	Color	length
LLT-4-EM-T8-G2-15W-40K	15W	4000K	4ft
LLT-4-EM-T8-G2-15W-50K	15W	5000K	4ft

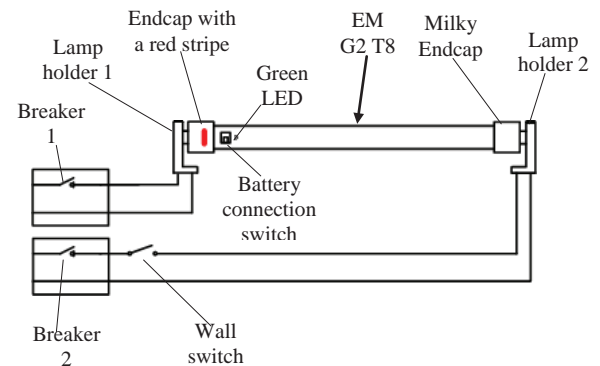
Features

- 2-in-1 tube: regular T8 lighting and emergency lighting
- Built-in lithium batteries
- Controllable by wall switch
- Easy battery shutoff switch for a long stocking time
- Can be used as a regular LED T8
- Easy to install and cost-effective
- Patent pending
- 5-year warranty

Product Compliance & Certifications:

- ETL certified for Type B (ballast bypass)
- UL 924 Battery Discharge Test

Wiring Diagram



Description

Aleddra's Generation 2 (G2) Emergency T8 sets the new industry standard as the first emergency T8 tube that passed UL924 Battery Discharge Test. With two single-end wired sockets, one endcap of the G2 emergency T8 is connected to the emergency power line and another to the wall switch, thus making it easy to turn on and off the T8 through the wall switch. During power outage, the emergency T8 automatically draws power from its built-in battery and lasts more than 90 minutes on battery at 420 lm. With its price point, the G2 emergency T8 is the most cost-effective emergency lighting option for replacing the expensive emergency ballast. Please follow the installation instruction to wire the G2 emergency T8.