

# ALEDDRA

## LED FLOOD LIGHT

Special lighting for wharves, stadiums, squares  
and other large places.

250W-1500W

IP66



# LED FLOOD LIGHT

250W-1500W



## Wattage



250W/300W



500W/600W



750W



1000W



1250W/1500W

# LED FLOOD LIGHT

## HD-FL02-250/300WA-V-CD

### Specifications

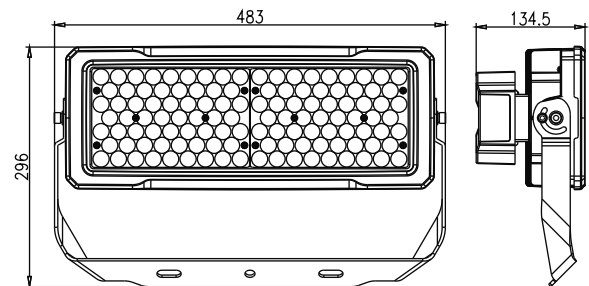
#### Optical Data

Wattage	250W/300W
LED Type	Philips/Samsung
Efficiency	130~150LM/W
Luminous Flux	32,500~37,500/39,000~45,00LM
CCT	3000K/4000K/5000K/5700K/ 6500K
Beam Angle	10°/30°/60°/120°/150°*60°/T3-VS
CRI	>70Ra
System Efficiency	>90%



#### Electrical Data

Power Supply	Meanwell driver
Input Voltage	AC100-277V/AC240-480V
Power Frequency	50/60Hz
Output Voltage	DC48V
Power Efficiency	92%
Power Factor	0.95
Total Harmonic Distortion	<15%



#### Others

IP Rating	IP66
Lifetime(L70 Standard)	50,000 hours
Heat Radiator	Die-cast aluminum
Lens Material	PC
Carton Dimensions	530*345*190mm
Gross Weight	7.3kg
Fixture Dimension	483*296*134.5mm

# LED FLOOD LIGHT

## HD-FL02-500/600WA-V-CD

### Specifications

#### Optical Data

Wattage	500W/600W
LED Type	Philips/Samsung
Efficiency	130~150LM/W
Luminous Flux	65,000~75,000/78,000~90,000LM
CCT	3000K/4000K/5000K/5700K/ 6500K
Beam Angle	10°/30°/60°/120°/150°*60°/T3-VS
CRI	>70Ra
System Efficiency	>90%

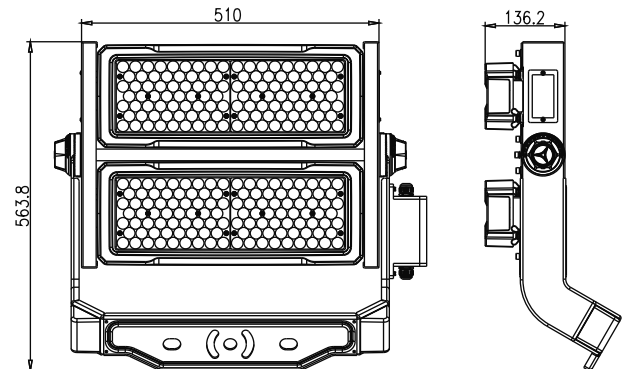


#### Electrical Data

Power Supply	Meanwell driver
Input Voltage	AC100-277V/AC240-480V
Power Frequency	50/60Hz
Output Voltage	DC48V
Power Efficiency	92%
Power Factor	0.95
Total Harmonic Distortion	<15%

#### Others

IP Rating	IP66
Lifetime(L70 Standard)	50,000 hours
Heat Radiator	Die-cast aluminum
Lens Material	PC
Carton Dimensions	622*617*211mm
Gross Weight	20.6kg
Fixture Dimension	563.8*510*136.2 mm



# LED FLOOD LIGHT

## HD-FL02-750WA-V-CD

### Specifications

#### Optical Data

Wattage	750W
LED Type	Philips/Samsung
Efficiency	130~150LM/W
Luminous Flux	97,500~112,500LM
CCT	3000K/4000K/5000K/5700K/ 6500K
Beam Angle	10°/30°/60°/120°/150°*60°/T3-VS
CRI	>70Ra
System Efficiency	>90%

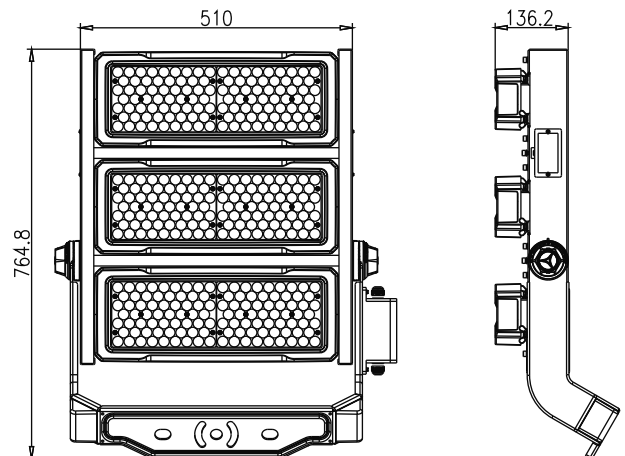


#### Electrical Data

Power Supply	Meanwell driver
Input Voltage	AC100-277V/AC240-480V
Power Frequency	50/60Hz
Output Voltage	DC48V
Power Efficiency	92%
Power Factor	0.95
Total Harmonic Distortion	<15%

#### Others

IP Rating	IP66
Lifetime(L70 Standard)	50,000 hours
Heat Radiator	Die-cast aluminum
Lens Material	PC
Carton Dimensions	822*617*211mm
Gross Weight	28kg
Fixture Dimension	764.8*510*136.2mm



# LED FLOOD LIGHT

## HD-FL02-1000WA-V-CD

### Specifications

#### Optical Data

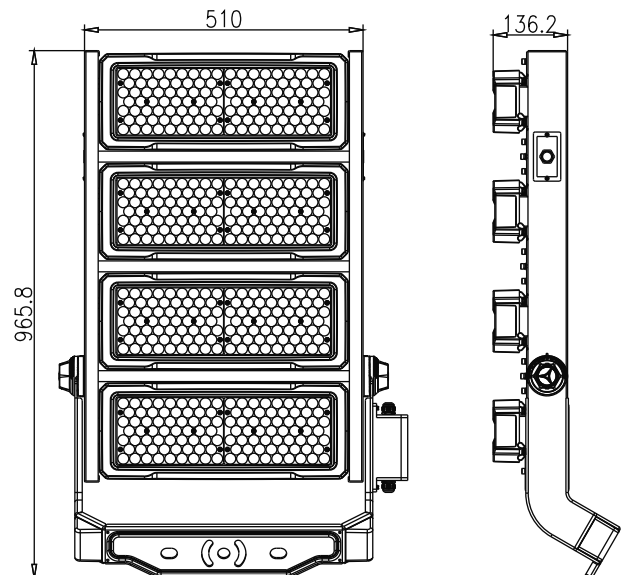
Wattage	1000W
LED Type	Philips/Samsung
Efficiency	130~150LM/W
Luminous Flux	130,000~150,000LM
CCT	3000K/4000K/5000K/5700K/ 6500K
Beam Angle	10°/30°/60°/120°/150°*60°/T3-VS
CRI	>70Ra
System Efficiency	>90%

#### Electrical Data

Power Supply	Meanwell driver
Input Voltage	AC100-277V/AC240-480V
Power Frequency	50/60Hz
Output Voltage	DC48V
Power Efficiency	92%
Power Factor	0.95
Total Harmonic Distortion	<15%

#### Others

IP Rating	IP66
Lifetime(L70 Standard)	50,000 hours
Heat Radiator	Die-cast aluminum
Lens Material	PC
Carton Dimensions	1022*617*211mm
Gross Weight	35kg
Fixture Dimension	965.8*510*136.2mm



# LED FLOOD LIGHT

## HD-FL02-1250/1500WA-V-CD

### Specifications

#### Optical Data

Wattage	1250W/1500W
LED Type	Philips/Samsung
Efficiency	130~150LM/W
Luminous Flux	162,500~187,500/195,000~225,000LM
CCT	3000K/4000K/5000K/5700K/ 6500K
Beam Angle	10°/30°/60°/120°/150°*60°/T3-VS
CRI	>70Ra
System Efficiency	>90%

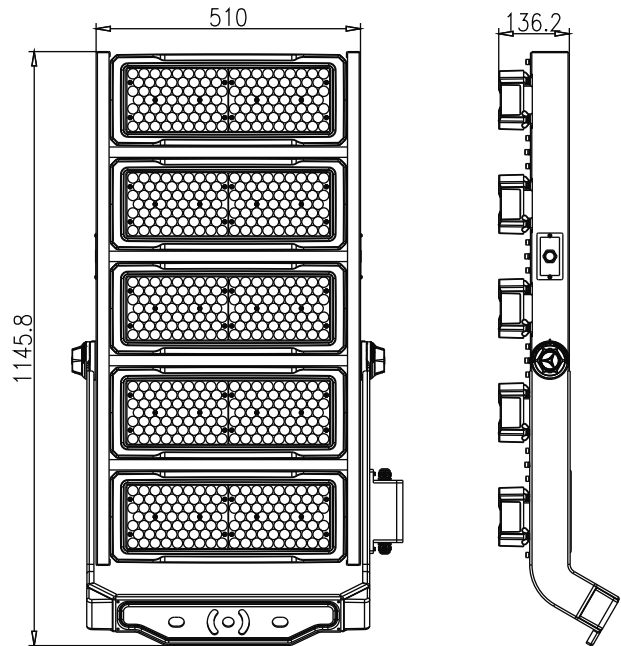


#### Electrical Data

Power Supply	Meanwell driver
Input Voltage	AC100-277V/AC240-480V
Power Frequency	50/60Hz
Output Voltage	DC48V
Power Efficiency	92%
Power Factor	0.95
Total Harmonic Distortion	<15%

#### Others

IP Rating	IP66
Lifetime(L70 Standard)	50,000 hours
Heat Radiator	Die-cast aluminum
Lens Material	PC
Carton Dimensions	1207*617*235mm
Gross Weight	43.5kg
Fixture Dimension	1145.8*510*136.2mm



# Rotation



Screw off the wing nuts to the horizon of rear of light.



Rotational angle of single light  $\pm 30^\circ$ .



Revolving the arrow to the horizontal of bracket, slideable gear.

# Replace the light



Screw off the wing nuts and revolve it to 90°.



Fetch out the defective lights.



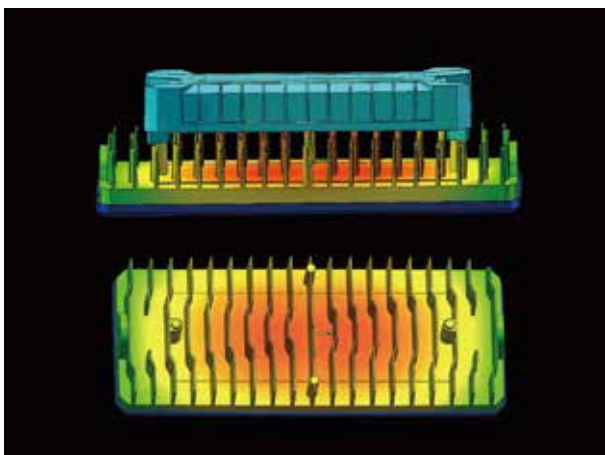
Put the lights to the clip, screw down the wing nuts to 90° angle. Insert the waterproof connector to the socket, light up the light.

# Auxiliary accessories

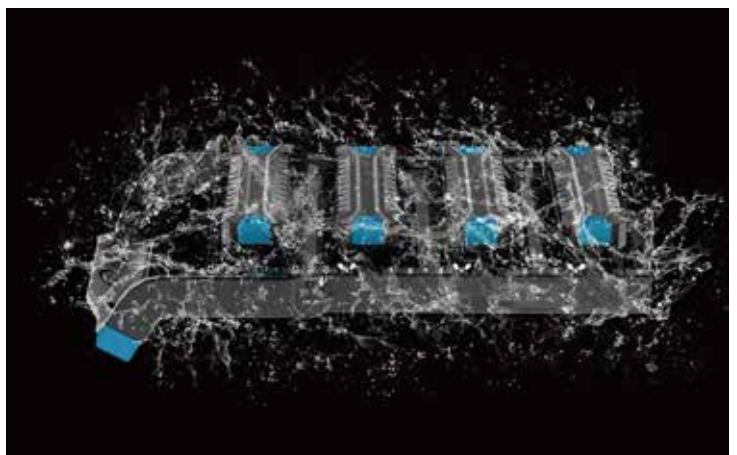
Light barrier



Laser diode aiming device



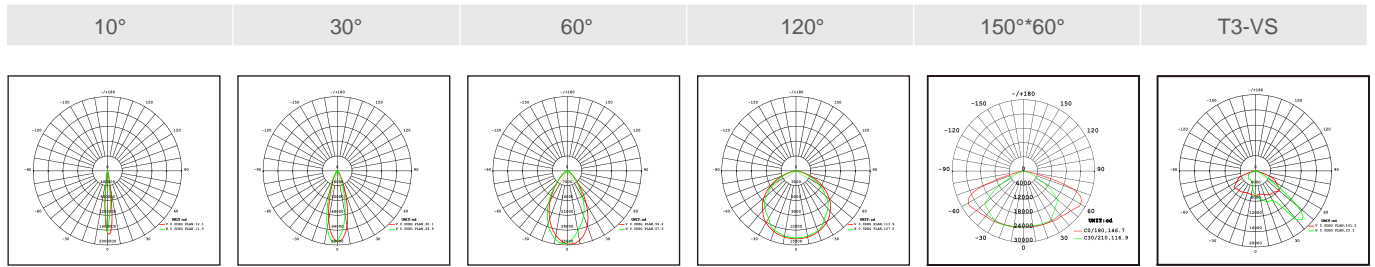
Temperature simulation, Driver temperature rise 32°, Chip temperature rise 60°



Waterproofing grade IP66



# Photometric Diagrams



## Installation

Multiple installation available



Hole dimension for mounting		
250W bracket	500W/750W/1000W/1250W bracket	1. According to the size chart provided on the bracket, the corresponding hole position is opened. After fix the bracket with M20 screws.
2. Remove the M16 silicone plug, loosen the screw with an Allen key, and rotate to the appropriate mounting angle. After push the M16 silicone plug.	3. Wiring, distinguishing between positive and negative poles and grounding wire.	4. If dimming is required, take down the cable casing when using the dimming function and connect the dimming cables according to the line mark.

1. Pass the AC wire through the lamp hold.	2. Fix the lamp head on the straight arm bracket with M8 screws and tighten.	3. Wiring, distinguishing between positive and negative poles and grounding wire. Confirm the installation OK, adjust the appropriate angle, the single module can rotate at an angle of $\pm 30^\circ$ .

1. Pass the AC wire through the lamp hold.	2. Fix the lamp head on the straight arm bracket with M8 screws and tighten.	3. Wiring, distinguishing between positive and negative poles and grounding wire. Confirm the installation OK, adjust the appropriate angle, the single module can rotate at an angle of $\pm 30^\circ$ .

1. Put a single module on the micro light stand and fix it with screws.	2. Fix the lamp according to the hole opening shown in the drawing.	3. Tighten the 6 screws on the lamp holder and fix them on the pole.

## Applications



