

CCT and Wattage Selectable LED Jelly Jar Light

ALEDDRA



Features

- Color Selectable: 30K/40K/50K
- Wattage Selectable: 21W and 10W (Voltage range is 120-347V)
- IP65 rated
- Adjustable mounting arm for surface mount and wall mount
- Easy to install and operate
- 5-year warranty

Specifications

Wattage	21W and 10W
Color Selectable	3000K/4000K/5000K
Beam Angle	160°
Input Voltage	120-347 VAC
Power Factor	0.9
CRI	>80
Lumen	2394~2562lm
Efficacy	120LM/W
Dimming	Non-dimmable
IP Rating	IP65
Operating Temp.	-40° to 113° F
Warranty	5 year

Product Compliance & Certifications:

- DLC Listed
- UL Listed

Description

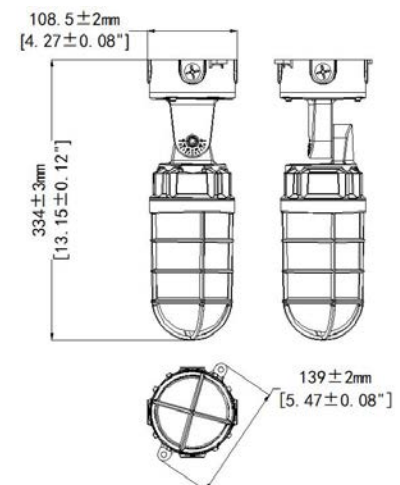
The new CCT and Wattage Selectable LED Jelly Jar is an energy-efficient lighting solution suitable for both outdoor and industrial use. With color temperature options of 3000K, 4000K, and 5000K, you can easily create the perfect ambiance, while its wattage selectable feature (21W and 10W) provides flexibility and energy efficiency. With 2000+ lumens of brightness, this Jelly Jar Light ensures exceptional visibility and security. Whether you need warm, cool, or crisp illumination, this product is a durable and efficient choice for various applications, making it the ideal lighting solution for your needs.

Dimensions

*Color Lens Options:



*Made-to-order & Subject to MOQ



Ordering Information

Product Model

AST-LJ01-21WBMUDC1-abW

Accessories Model # (Made-to-order & Subject to MOQ)

JELLY_JAR_LENS_GREEN	Green Glass Lens Cover
JELLY_JAR_LENS_YELLOW	Yellow Glass Lens Cover
JELLY_JAR_LENS_BLUE	Blue Glass Lens Cover
JELLY_JAR_LENS_RED	Red Glass Lens Cover